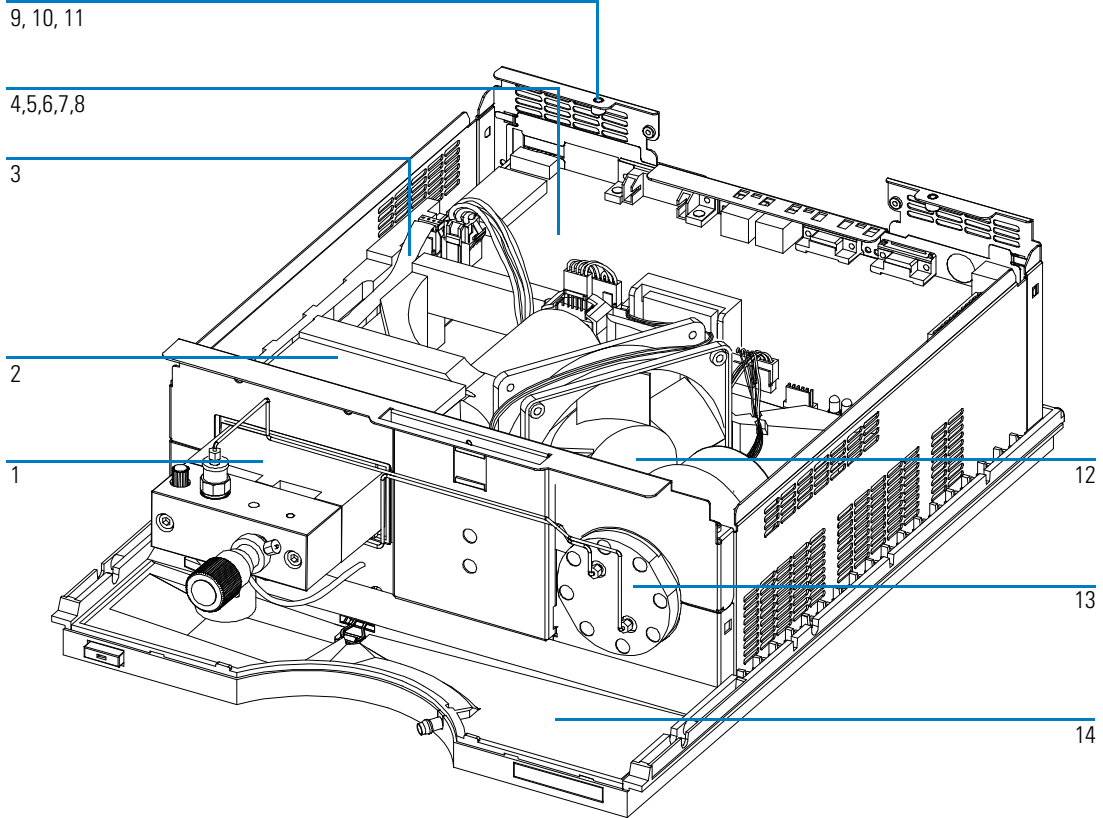

Overview of Main Assemblies

Figure 27 Overview of Main Assemblies



Parts and Materials
Overview of Main Assemblies

Table 6

Repair Parts — Pump Housing and Main Assemblies

Item	Description	HP Part Number
1	Pump head, see page 164	G1311-60004
2	Pump drive assembly	G1311-60001
	Exchange assembly — pump drive	G1311-69001
3	Cable assembly — AIV to main board	G1311-61601
4	Low-pressure pump main board (LPM)	G1311-66520
	Exchange assembly — LPM board	G1311-69520
5	Standoff — HP-IB connector	0380-0643
6	Standoff — remote connector	1251-7788
7	Nut M14 — analog output	2940-0256
8	Washer — analog output	2190-0699
9	Power supply	0950-2528
10	Screw, M4, 8 mm lg — power supply	0515-0910
11	Washer — power supply	2190-0409
12	Fan assembly	3160-1016
13	Damping unit	79835-60005
14	Leak pan — pump	5041-8390